

Installation Note

Extended Frequency Range Upgrade Kit

To Upgrade Option 220 to Option 420

Upgrade Kit Order Number: N5230AU/CU-971

For N5230A/C Option 220 PNA-L (20 GHz, 2-Port, Standard Test Set)



Agilent Kit Number: N5230-60108

Agilent Document Number: N5230-90010

Printed in USA December 10, 2010

Supersedes: January 4, 2010

© Agilent Technologies, Inc. 2004–2008, 2010



N5230-90010

WARRANTY STATEMENT

THE MATERIAL CONTAINED IN THIS DOCUMENT IS PROVIDED “AS IS,” AND IS SUBJECT TO BEING CHANGED, WITHOUT NOTICE, IN FUTURE EDITIONS. FURTHER, TO THE MAXIMUM EXTENT PERMITTED BY APPLICABLE LAW, AGILENT DISCLAIMS ALL WARRANTIES, EITHER EXPRESS OR IMPLIED WITH REGARD TO THIS MANUAL AND ANY INFORMATION CONTAINED HEREIN, INCLUDING BUT NOT LIMITED TO THE IMPLIED WARRANTIES OF MERCHANTABILITY AND FITNESS FOR A PARTICULAR PURPOSE. AGILENT SHALL NOT BE LIABLE FOR ERRORS OR FOR INCIDENTAL OR CONSEQUENTIAL DAMAGES IN CONNECTION WITH THE FURNISHING, USE, OR PERFORMANCE OF THIS DOCUMENT OR ANY INFORMATION CONTAINED HEREIN. SHOULD AGILENT AND THE USER HAVE A SEPARATE WRITTEN AGREEMENT WITH WARRANTY TERMS COVERING THE MATERIAL IN THIS DOCUMENT THAT CONFLICT WITH THESE TERMS, THE WARRANTY TERMS IN THE SEPARATE AGREEMENT WILL CONTROL.

DFARS/Restricted Rights Notice

If software is for use in the performance of a U.S. Government prime contract or subcontract, Software is delivered and licensed as “Commercial computer software” as defined in DFAR 252.227-7014 (June 1995), or as a “commercial item” as defined in FAR 2.101(a) or as “Restricted computer software” as defined in FAR 52.227-19 (June 1987) or any equivalent agency regulation or contract clause. Use, duplication or disclosure of Software is subject to Agilent Technologies’ standard commercial license terms, and non-DOD Departments and Agencies of the U.S. Government will receive no greater than Restricted Rights as defined in FAR 52.227-19(c)(1-2) (June 1987). U.S. Government users will receive no greater than Limited Rights as defined in FAR 52.227-14 (June 1987) or DFAR 252.227-7015 (b)(2) (November 1995), as applicable in any technical data.

Safety Notes

The following safety notes are used throughout this document. Familiarize yourself with each of these notes and its meaning before performing any of the procedures in this document.

WARNING	Warning denotes a hazard. It calls attention to a procedure which, if not correctly performed or adhered to, could result in injury or loss of life. Do not proceed beyond a warning note until the indicated conditions are fully understood and met.
----------------	---

CAUTION	Caution denotes a hazard. It calls attention to a procedure that, if not correctly performed or adhered to, could result in damage to or destruction of the instrument. Do not proceed beyond a caution sign until the indicated conditions are fully understood and met.
----------------	---

Description of the Upgrade

This upgrade extends the upper frequency limit of your 20 GHz standard test set analyzer (N5230A/C Option 220) to 40 GHz. This is done by installing Option F40. After installation of this upgrade, your analyzer will be an N5230A/C Option 420.

Option F40 provides the necessary 40 GHz components and cabling to allow your analyzer to measure signals up to 40 GHz.

Getting Assistance from Agilent

Installing this upgrade kit requires special skills and experience. If you think you may not be qualified to do the work, or need advice, contact Agilent.

Contacting Agilent

Assistance with test and measurements needs and information on finding a local Agilent office are available on the Web at:

<http://www.agilent.com/find/assist>

If you do not have access to the Internet, please contact your Agilent field engineer.

NOTE	In any correspondence or telephone conversation, refer to the Agilent product by its model number and full serial number. With this information, the Agilent representative can determine whether your product is still within its warranty period.
-------------	---

Getting Prepared

CAUTION	<p>The PNA contains extremely sensitive components that can be ruined if mishandled. Follow instructions carefully when making cable connections, especially wire harness connections.</p> <p>The person performing the work accepts responsibility for the full cost of the repair or replacement of damaged components.</p>
----------------	---

To successfully install this upgrade kit, you will need the following:

- A license key - refer to “License Key Redemption” below.
- A PDF copy or a paper copy of the PNA Service Guide - refer to “Downloading the Online PNA Service Guide” below.
- An ESD-safe work area - refer to “Protecting Your Workspace from Electrostatic Discharge” below.
- Correct tools - refer to “Tools Required for the Installation” on page 5.
- Enough time - refer to “About Installing the Upgrade” on page 6.
- Test equipment for the post-upgrade adjustments and full instrument calibration - refer to “Equipment Required for Post-Upgrade Adjustments” on page 6.

License Key Redemption

NOTE	<p>The enclosed Option Entitlement Certificate is a receipt, verifying that you have purchased a licensed option for the PNA of your choice. You must now use an Agilent Web page to request a license key for the instrument that will receive the option.</p>
-------------	---

To enable the option product, you must request a license key from: <http://www.agilent.com/find/softwarelicense>. To complete the request, you will need to gather the following information:

- From the certificate
 - Order number
 - Certificate number
- From your instrument
 - Model number
 - Serial number
 - Host ID

The instrument information is available on the network analyzer – on the analyzer’s **Help** menu, click **About Network Analyzer**.

If you provide an email address, Agilent will promptly email your license key. Otherwise, you will receive your license key via postal mail.

Downloading the Online PNA Service Guide

To view the online Service Guide for your PNA model number, use the following steps:

1. Go to www.agilent.com.
2. In the Search box, enter the model number of the analyzer (Ex: N5230A) and click **Search**.
3. Click [Technical Support > Manuals](#).
4. Click [Service Manual](#).
5. Click the service guide title to load the PDF file.
6. When the PDF of the Service Guide is displayed, scroll through the Contents section bookmarks to locate the information needed.

Protecting Your Workspace from Electrostatic Discharge

For information, click on the Chapter 1 PDF bookmark, “[Electrostatic Discharge Protection](#)” in the online Service Guide¹.

ESD Equipment Required for the Installation

Description	Agilent Part Number
ESD grounding wrist strap	9300-1367
5-ft grounding cord for wrist strap	9300-0980
2 x 4 ft conductive table mat and 15-ft grounding wire	9300-0797
ESD heel strap (for use with conductive floors)	9300-1308

Tools Required for the Installation

Description	Agilent Part Number
T-10 TORX driver (set to 9 in-lbs)	N/A
T-20 TORX driver (set to 21 in-lbs)	N/A
5/16-inch torque wrench (set to 10 in-lbs)	N/A
1-inch torque wrench (set to 72 in-lbs)	N/A

1. See “[Downloading the Online PNA Service Guide](#)” on page 5.

Equipment Required for Post-Upgrade Adjustments

Equipment Type	Model or Part Number	Alternate Model or Part Number
Power meter	E4418B/E4419B	E4418A/E4419A
Power sensor, 2.4 mm	8487A	None
Adapter, 2.4 mm (f) to 2.4 mm (f)	11900B	85056-60007
RF cable, 2.4 mm (f) to 2.4 mm (f)	85133C	85133E

About Installing the Upgrade

Products affected	N5230A/C Option 220 (20 GHz, 2-port, standard test set)
Installation to be performed by	Agilent service center or personnel qualified by Agilent
Estimated installation time	2.0 hours
Estimated adjustment time	0.5 hours
Estimated full instrument calibration time	4.5 hours

Items Included in the Upgrade Kit¹

Check the contents of your kit against the following list. If any part is missing or damaged, contact Agilent Technologies. Refer to [“Getting Assistance from Agilent”](#) on page 3.

Table 1 Contents of Upgrade Kit N5230-60108

Ref Desig.	Description	Qty	Part Number
	Installation note (this document)	1	N5230-90010
A18	Modulator/amplifier 26.5 (MA 26.5)	1	5087-7280
A19	Modulator/amplifier/switch/splitter 50 (MASS 50)	1	5087-7278
A20	Mixer brick 50	1	5087-7279
A21, A22	Test port coupler, 50 GHz	2	5086-7518
	Machine screw, M3.0 x 10 pan head (for attaching A18 MA 26.5)	3	0515-0374
	Rubber bumper (for A21 and A22 test port couplers)	2	0403-0285
	4-dB pad	1	0955-2078 (formerly 0955-0583)
	Test set deck front panel, 50 GHz	1	E8364-00014
	Cable tie (to secure cables W47 and W51 to the side frame)	3	1400-0249
	Model number nameplate (for 40 GHz analyzer N5230A)	1	N5230-80003
	Model number nameplate (for 40 GHz analyzer N5230C)	1	N5230-80023
	Ribbon cable, A18 MA 26.5 to A16 test set motherboard	1	N5230-60014
W3	RF cable, A6 multiplier board to A20 mixer brick	1	N5230-20043
W6	RF cable, A8 multiplier board to A18 MA 26.5	1	N5230-20044
W7	RF cable, A18 MA 26.5 to A19 MASS 50	1	N5230-20033
W8	RF cable, A19 MASS 50 to A21 test port 1 coupler	1	N5230-20027
W9	RF cable, A19 MASS 50 to A22 test port 2 coupler	1	N5230-20026
W10	RF cable, A19 MASS 50 to A20 mixer brick (R1)	1	N5230-20028
W11	RF cable, A19 MASS 50 to A20 mixer brick (R2)	1	N5230-20025
W12	RF cable, A21 test port 1 coupler to A20 mixer brick (A)	1	N5230-20029
W13	RF cable, A22 test port 2 coupler to A20 mixer brick (B)	1	N5230-20024

1. In addition to the upgrade kit, the shipment includes an Option Entitlement Certificate. Refer to [“License Key Redemption”](#) on page 4 for important information about this certificate.

Installation Procedure for the Upgrade

The network analyzer must be in proper working condition prior to installing this option. Any necessary repairs must be made before proceeding with this installation.

WARNING **This installation requires the removal of the analyzer’s protective outer covers. The analyzer must be powered down and disconnected from the mains supply before performing this procedure.**

Electrostatic Discharge Protection

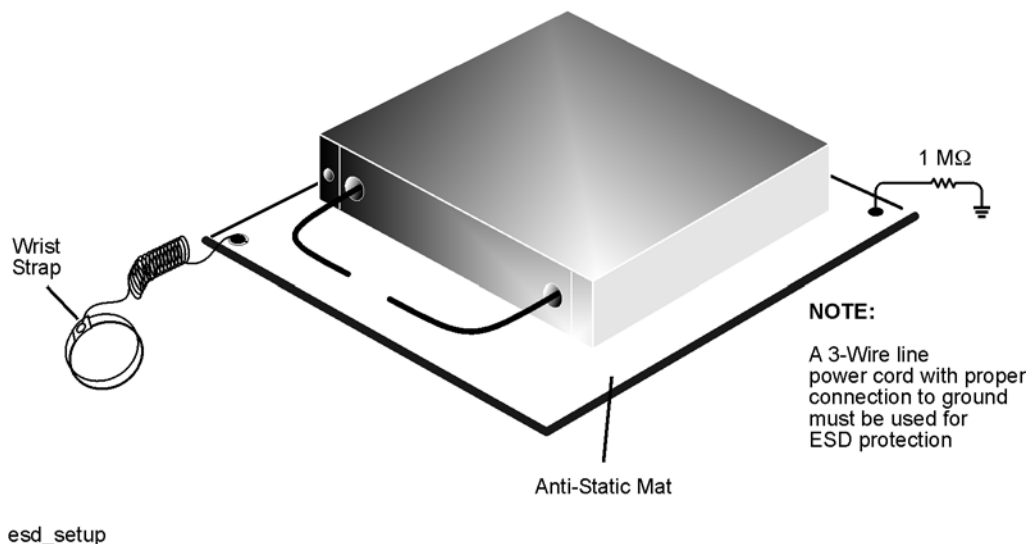
Protection against electrostatic discharge (ESD) is essential while removing or connecting cables or assemblies within the network analyzer.

Static electricity can build up on your body and can easily damage sensitive internal circuit elements when discharged. Static discharges too small to be felt can cause permanent damage. To prevent damage to the instrument:

- *always* have a grounded, conductive table mat in front of your test equipment.
- *always* wear a grounded wrist strap, connected to a grounded conductive table mat, having a 1 M Ω resistor in series with it, when handling components and assemblies or when making connections.
- *always* wear a heel strap when working in an area with a conductive floor. If you are uncertain about the conductivity of your floor, wear a heel strap.
- *always* ground yourself before you clean, inspect, or make a connection to a static-sensitive device or test port. You can, for example, grasp the grounded outer shell of the test port or cable connector briefly.

Figure 1 shows a typical ESD protection setup using a grounded mat and wrist strap. Refer to “ESD Equipment Required for the Installation” on page 5 for part numbers.

Figure 1 ESD Protection Setup



Overview of the Installation Procedure

- Step 1. Obtain a Keyword and Verify the Information.
- Step 2. Remove the Outer and Inner Covers.
- Step 3. Remove the Front Panel Assembly.
- Step 4. Remove the 20 GHz Bottom Cables.
- Step 5. Remove the Test Set Deck Front Panel.
- Step 6. Remove the 20 GHz Top to Bottom Cables.
- Step 7. Remove the 20 GHz Components.
- Step 8. Install the 50 GHz Components.
- Step 9. Install the 50 GHz Top to Bottom Cables.
- Step 10. Install the New Test Set Deck Front Panel.
- Step 11. Install the 50 GHz Bottom Cables.
- Step 12. Replace the Nameplate.
- Step 13. Reinstall the Front Panel Assembly.
- Step 14. Reinstall the Inner and Outer Covers.
- Step 15. Enable Option F40.
- Step 16. Perform Post-Upgrade Adjustments.

Step 1. Obtain a Keyword and Verify the Information

Follow the instructions on the Option Entitlement Certificate supplied to obtain a license key for installation of this upgrade. Refer to [“License Key Redemption” on page 4](#).

Verify that the model number, serial number, and option number information on the license key match those of the instrument on which this upgrade will be installed.

If the model number, serial number, or option number do not match those on your license key, you will not be able to install the option. If this is the case, contact Agilent for assistance before beginning the installation of this upgrade. Refer to [“Contacting Agilent” on page 3](#).

Once the license key has been received and the information verified, you can proceed with the installation at step 2.

Step 2. Remove the Outer and Inner Covers

Remove the Outer Cover

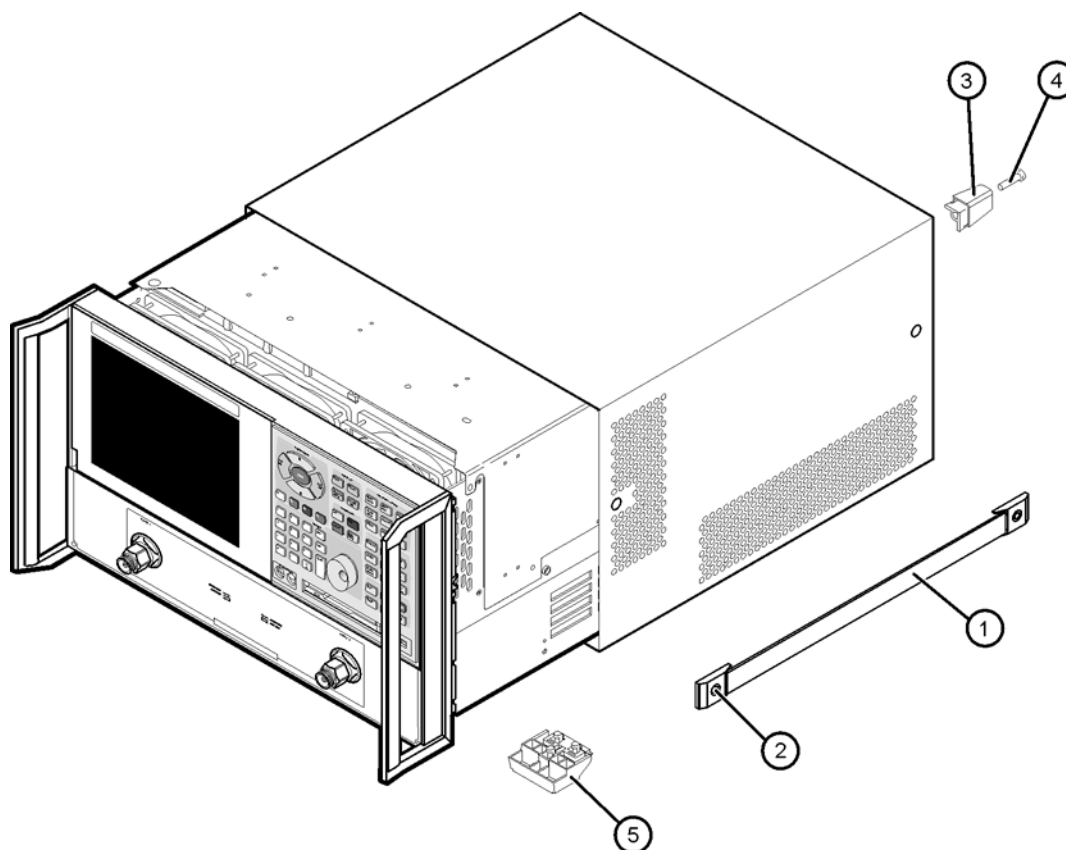
CAUTION

This procedure is best performed with the analyzer resting on its front handles in the vertical position. *Do not place the analyzer on its front panel without the handles.* This will damage the front panel assemblies.

Refer to [Figure 2](#) for this procedure.

1. Disconnect the power cord (if it has not already been disconnected).
2. With a T-20 TORX driver, remove the strap handles (item ①) by loosening the screw (item ②) on each end of each handle.
3. With a T-20 TORX driver, remove the four rear panel feet (item ③) by removing the center screws (item ④).
4. Slide the four bottom feet (item ⑤) off the cover.
5. Slide the cover off of the frame.

Figure 2 Outer Cover Removal



dt501a

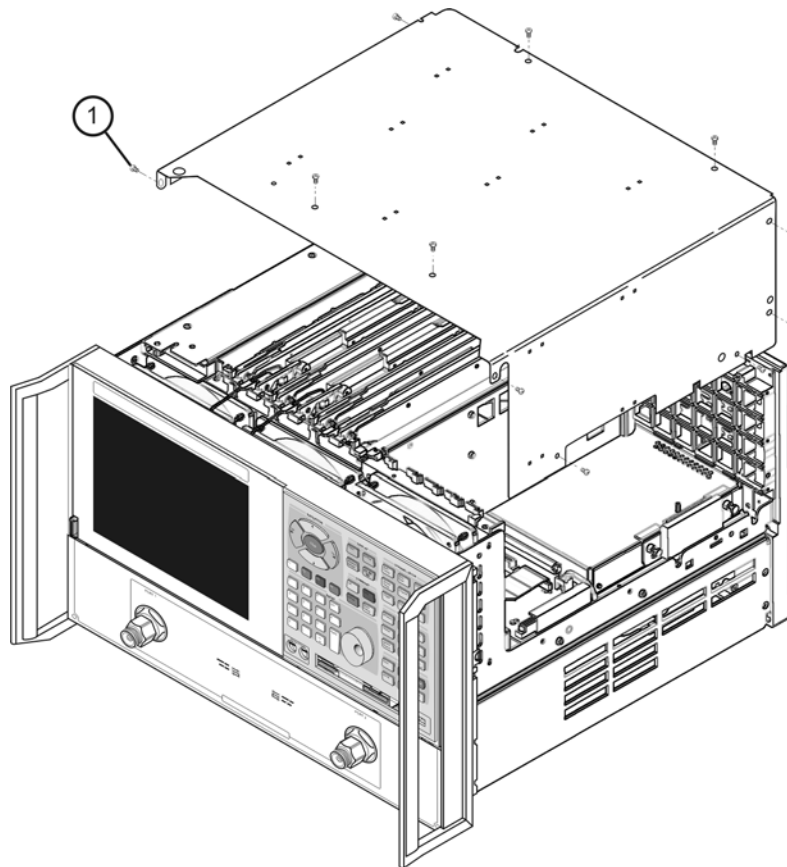
NOTE

The figure above shows the N5230A front panel and floppy disk drive. The N5230C front panel has a slightly different appearance and does not include a floppy disk drive.

Remove the Inner Cover

1. Place the analyzer top-side up on a flat surface.
2. Using a T-10 TORX driver, remove the eleven screws (item ①).
3. Lift off the cover.

Figure 3 Inner Cover Removal



n5230_010_01

NOTE The figure above shows the N5230A front panel and floppy disk drive. The N5230C front panel has a slightly different appearance and does not include a floppy disk drive.

Step 3. Remove the Front Panel Assembly

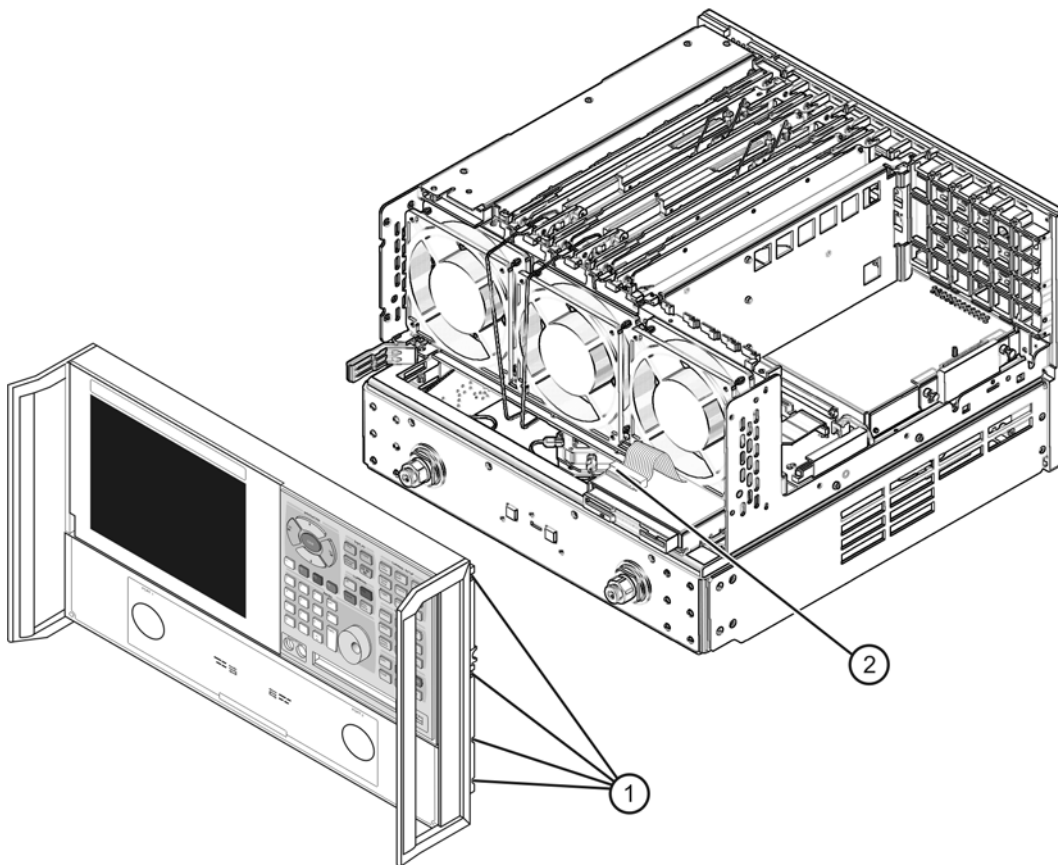
Refer to [Figure 4](#) for this procedure.

1. With a T-10 TORX driver, remove the eight screws (item ①) from the sides of the frame.

CAUTION Before removing the front panel from the analyzer, lift and support the front of the analyzer chassis.

2. Slide the front panel over the test port connectors.
3. Disconnect the front panel interface ribbon cable (item ②). The front panel is now free from the analyzer.

Figure 4 Front Panel Assembly Removal



n5230_010_02

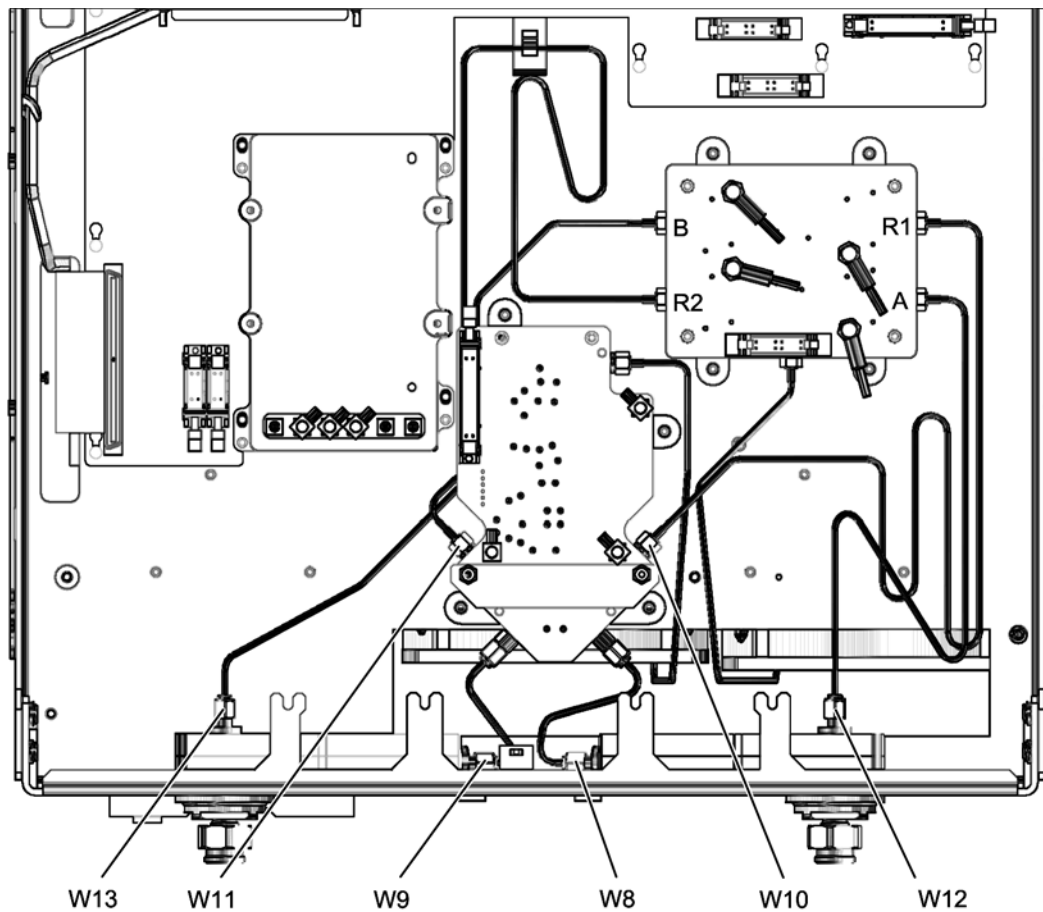
NOTE The figure above shows the N5230A front panel and floppy disk drive. The N5230C front panel has a slightly different appearance and does not include a floppy disk drive.

Step 4. Remove the 20 GHz Bottom Cables

Refer to either [Figure 5](#) or [Figure 6](#) for this procedure, depending upon the serial number prefix of your analyzer.

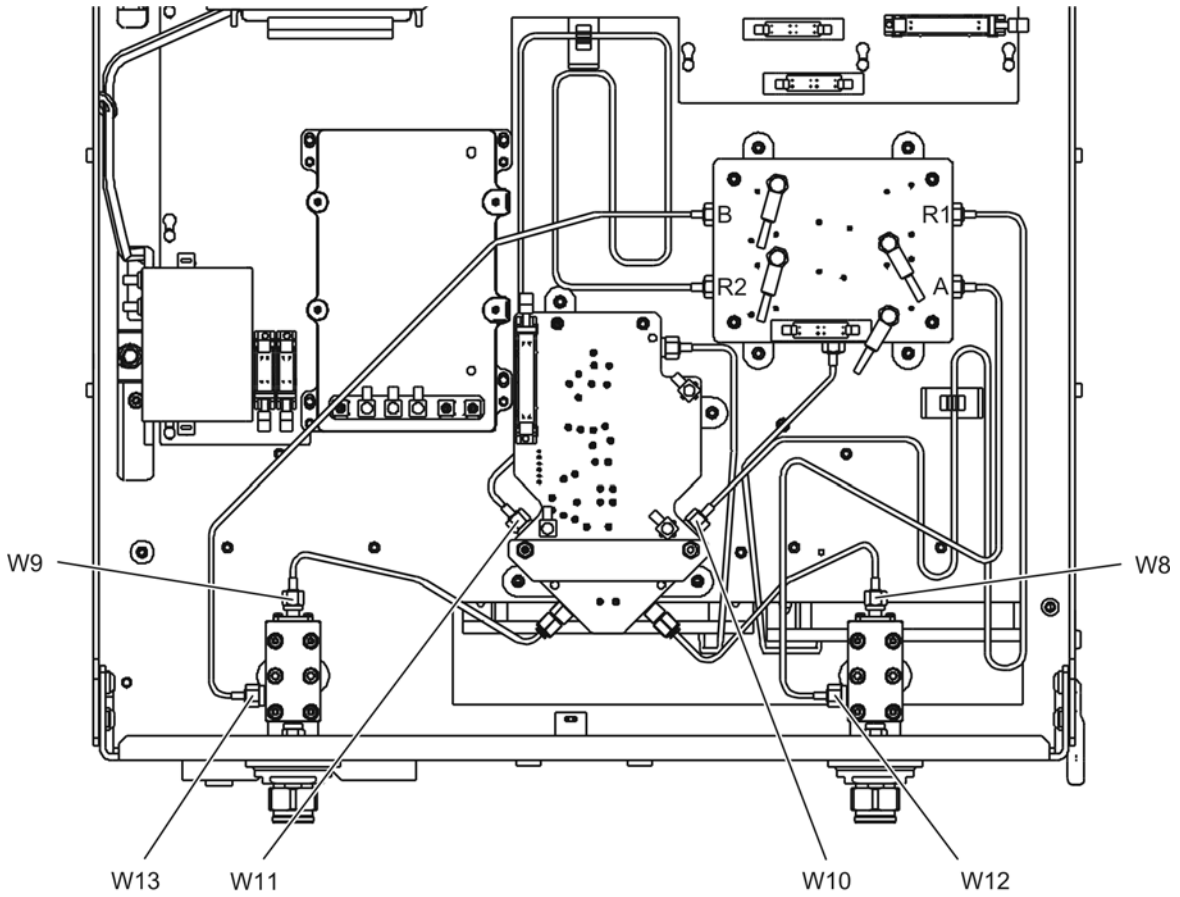
1. Place the analyzer bottom-side up on a flat surface.
2. Remove the following cables in the order listed:
 - W8 A17 MASS 26.5 to A21 test port 1 coupler
 - W10 A17 MASS 26.5 to A20 mixer brick (R1)
 - W12 A21 test port 1 coupler to A20 mixer brick (A)
 - W9 A17 MASS 26.5 to A22 test port 2 coupler
 - W11 A17 MASS 26.5 to A20 mixer brick (R2)
 - W13 A22 test port 2 coupler to A20 mixer brick (B)

Figure 5 20 GHz Bottom Cables Removal (serial numbers prefixed MY4500 and below)



n5230_010_03

Figure 6 20 GHz Bottom Cables Removal (serial numbers prefixed MY4640 and above)



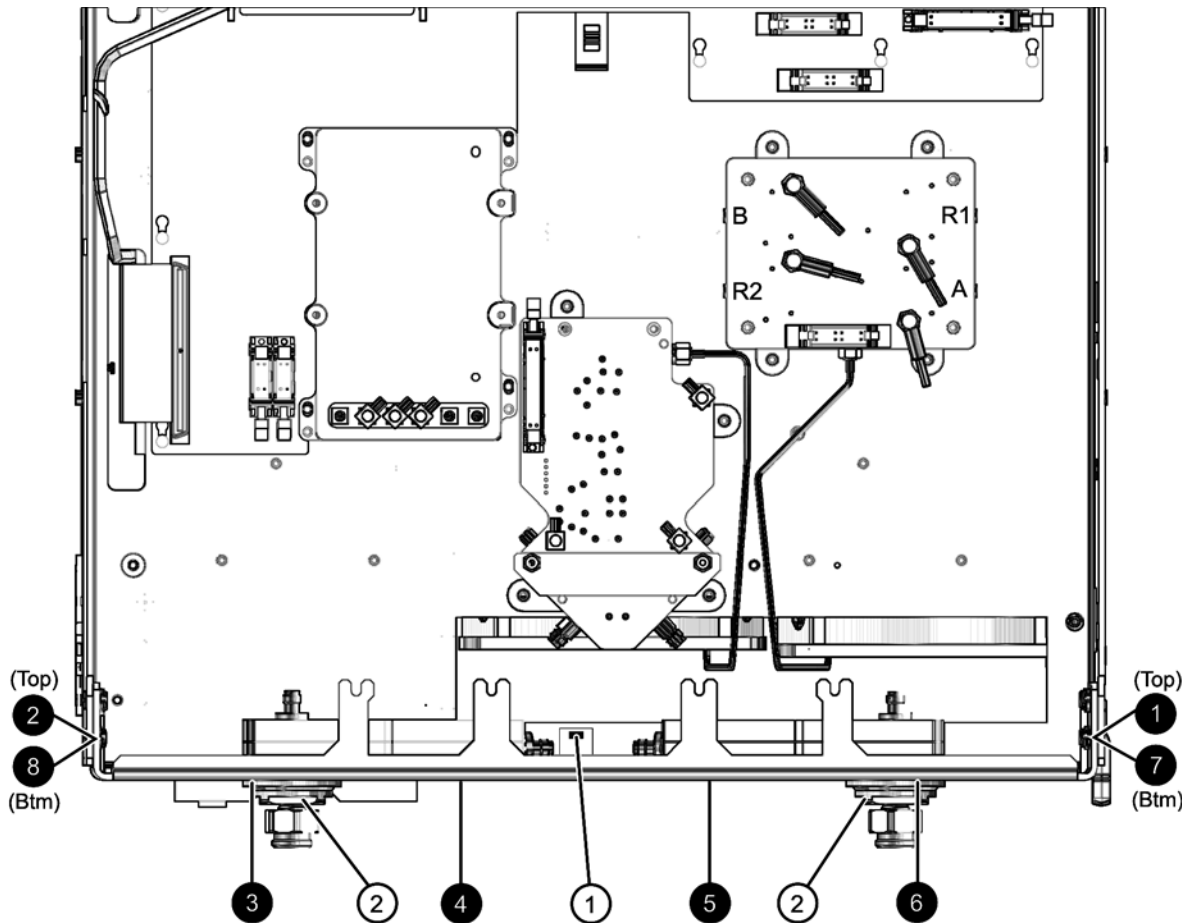
n5230_010_14

Step 5. Remove the Test Set Deck Front Panel

Refer to either [Figure 7](#) or [Figure 8](#) for this procedure, depending upon the serial number prefix of your analyzer.

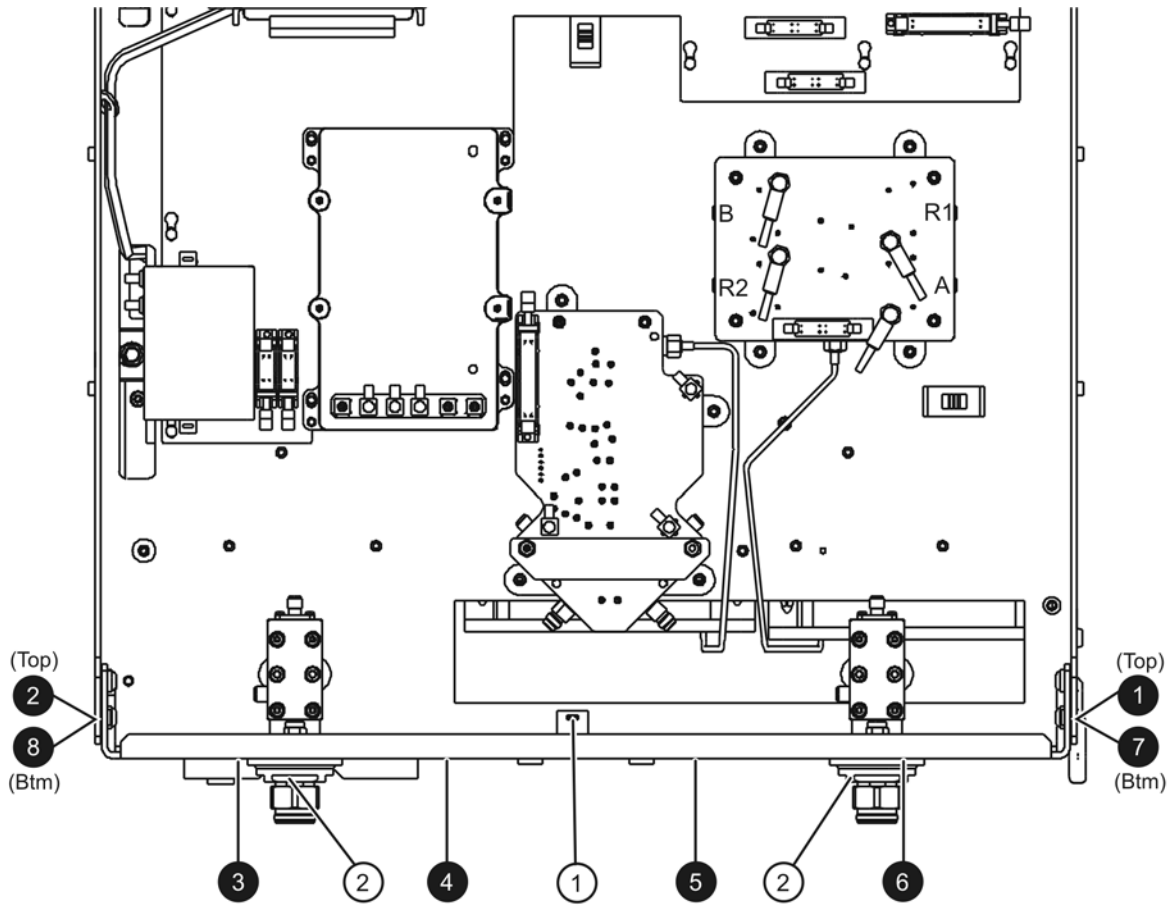
1. Disconnect the wrapped wire cable (item ①) from the front-panel LED board.
2. Using a T-10 TORX driver, remove eight screws (items ① through ⑧) from the test set deck front panel, to release it.
3. Remove the test set deck front panel from the analyzer, with the LED board and both couplers attached.
4. Remove the LED board from the front panel by removing the three attachment screws. Retain the LED board and the screws for installation on the new front panel.
5. Using a 1-inch wrench, remove the flange nut (item ②) from each coupler. Retain the flange nuts for installation of the new couplers. Discard the front panel and the couplers.

Figure 7 Test Set Deck Front Panel Removal (serial numbers prefixed MY4500 and below)



n5230_010_04

Figure 8 Test Set Deck Front Panel Removal (serial numbers prefixed MY4640 and above)

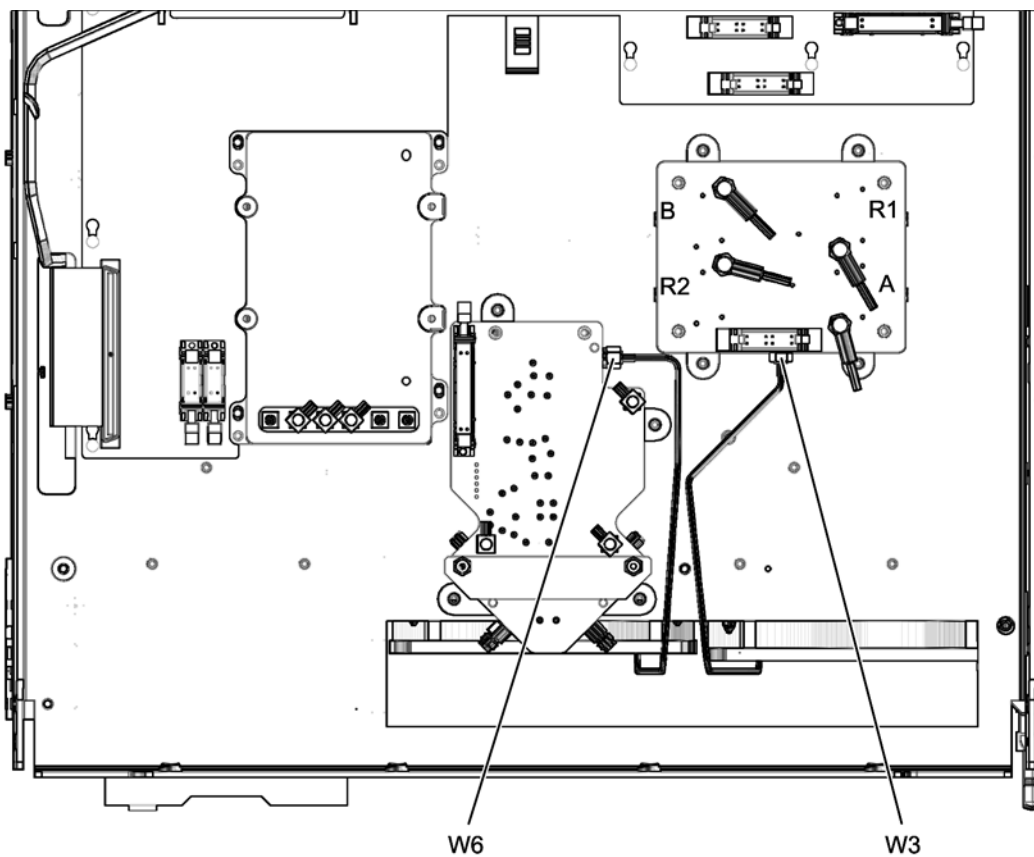


N5230_010_15

Step 6. Remove the 20 GHz Top to Bottom Cables

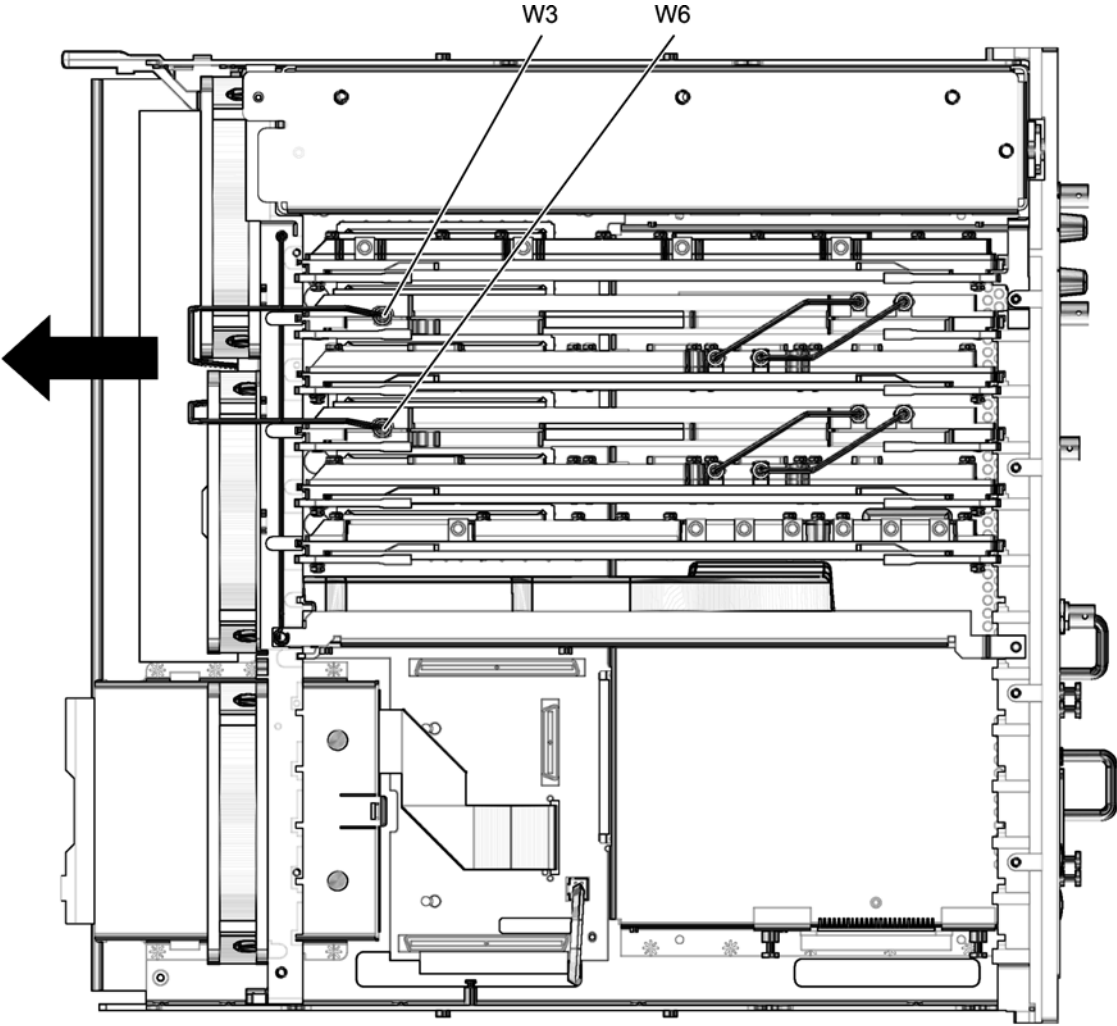
1. Disconnect cables W3 and W6 at the locations shown in [Figure 9](#).
2. Place the analyzer on its side as shown in [Figure 10](#).
3. Disconnect cables W3 and W6 at the locations shown in [Figure 10](#) and remove the cables in the direction indicated. It may be necessary to guide the other end of the cables, on the bottom side of the analyzer, as they are being removed.

Figure 9 20 GHz Top to Bottom Cables Removal, Bottom



n5230_010_05

Figure 10 20 GHz Top to Bottom Cables Removal, Top



n5230_010_06

Step 7. Remove the 20 GHz Components

Refer to [Figure 11](#) for this procedure.

1. Place the analyzer bottom-side up on a flat surface.

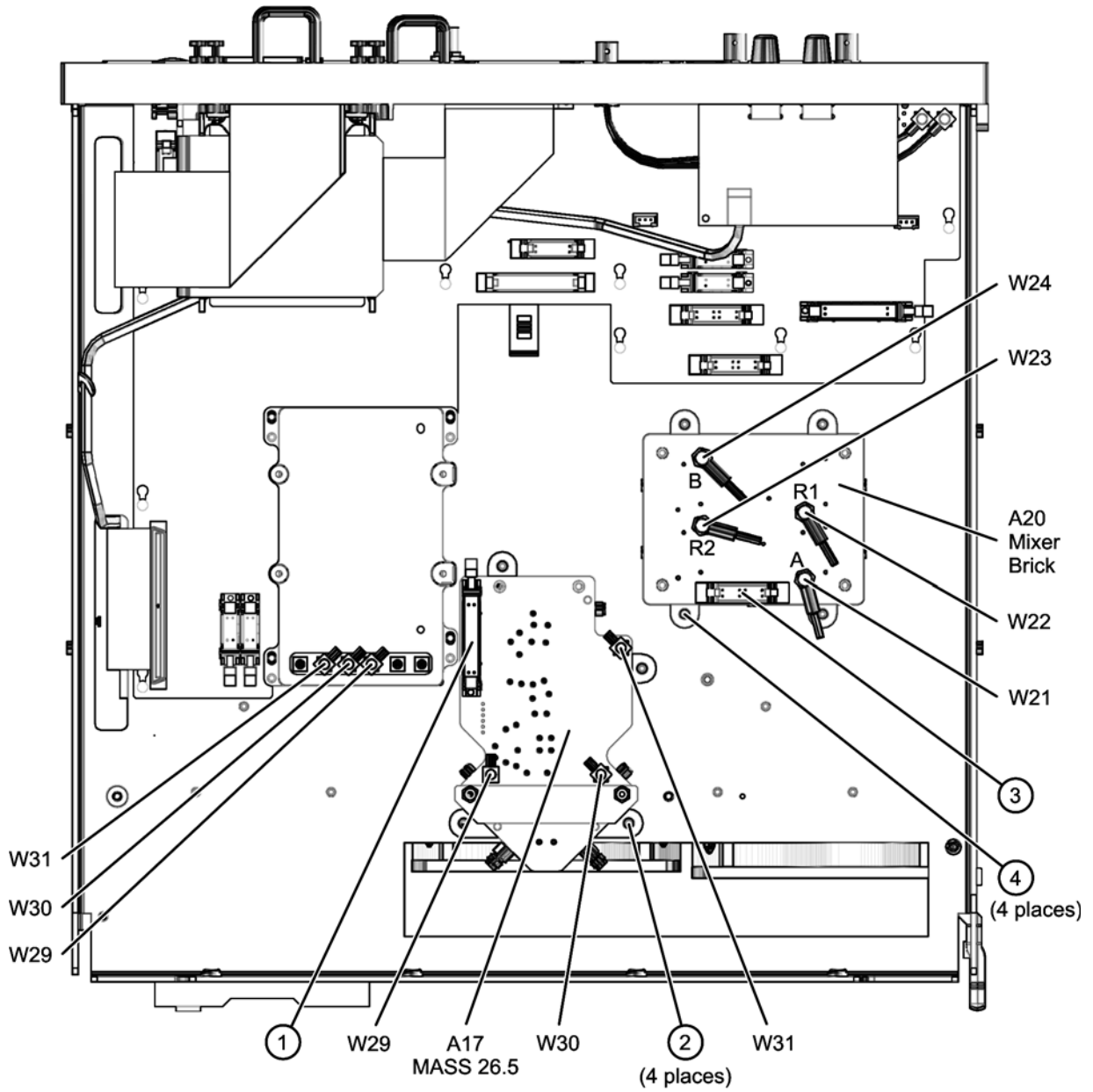
Remove the A17 MASS 26.5

2. Disconnect the ribbon cable (item ①) from the MASS 26.5. Leave this ribbon cable attached to the A16 test set motherboard.
3. Disconnect the three flexible coaxial cables, W29–W31, from the MASS 26.5. Leave these cables connected at the other end.
4. Remove the MASS 26.5 by removing the four attachment screws (item ②). Retain the screws for installation of the A19 MASS 50.

Remove the A20 Mixer Brick

5. Disconnect the ribbon cable (item ③) from the mixer brick. Leave this ribbon cable attached to the A16 test set motherboard.
6. Label, for re-connection later, the four flexible coaxial cables, W21–W24, that are connected to the mixer brick. It is necessary to label these cables because they connect to the A5 SPAM board on the top side of the analyzer and it is therefore difficult to trace their connection path and location. Disconnect these four cables from the mixer brick but leave them connected at the other end.
7. Remove the mixer brick by removing the four attachment screws (item ④). Retain the screws for installation of the A20 50 GHz mixer brick.

Figure 11 20 GHz Components Removal



n5230_010_07

Step 8. Install the 50 GHz Components

Refer to [Figure 12](#) for this procedure. New parts are listed in [Table 1 on page 7](#).

Install the A18 MA 26.5

1. Loosely install three new screws (item ①) into the back of the MA 26.5.
2. Place the MA 26.5 in position as shown aligning the screws in the three keyholes in the test set deck side frame. Once properly aligned, tighten the screws.
3. Connect the new ribbon cable between the A18 MA 26.5 at A18J1 and the A16 test set motherboard at A16J7 (MA 26).

Install the A19 MASS 50

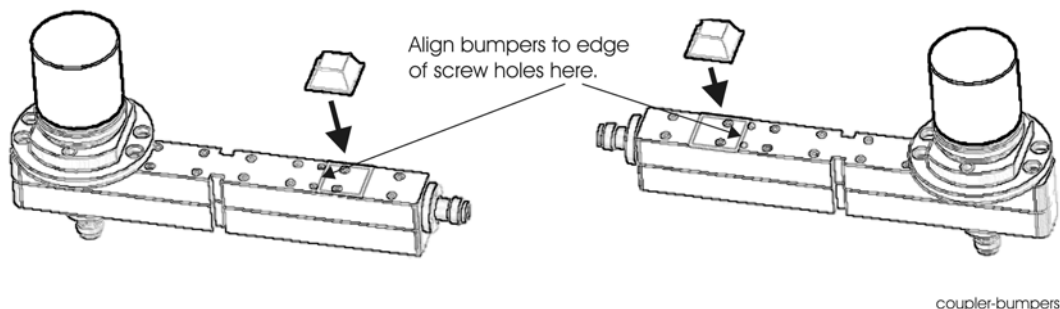
1. Place the MASS 50 in position as shown.
2. Use the four screws (item ②) that were removed from the A17 MASS 26.5 to loosely install the A19 MASS 50. Leave these screw loose; they will be tightened later.
3. Connect the ribbon cable and the flexible coaxial cables (previously disconnected from the A17 MASS 26.5) to the A19 MASS 50.

Install the A20 50 GHz Mixer Brick

1. Install the 4-dB pad on the LO input of the 50 GHz mixer brick as shown.
2. Place the 50 GHz mixer brick in position as shown.
3. Secure the mixer brick to the test set deck using the four screws (item ③) that were removed from the 20 GHz mixer brick.
4. Connect the ribbon cable and the four flexible coaxial cables (previously disconnected from the 20 GHz mixer brick) to the 50 GHz mixer brick.

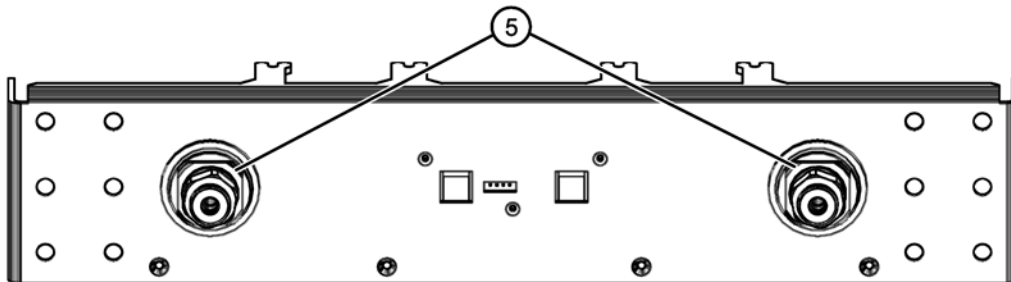
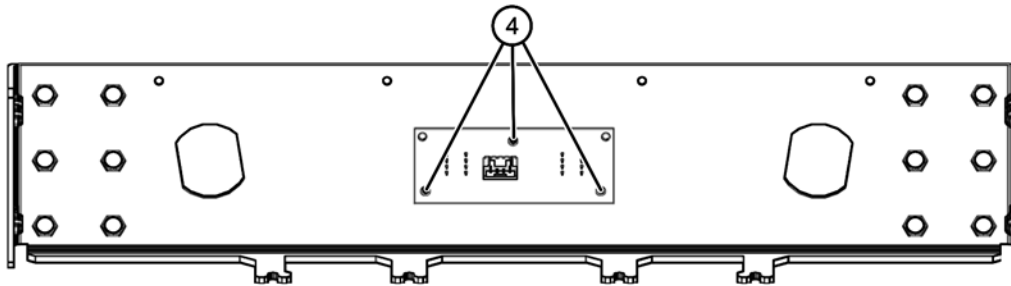
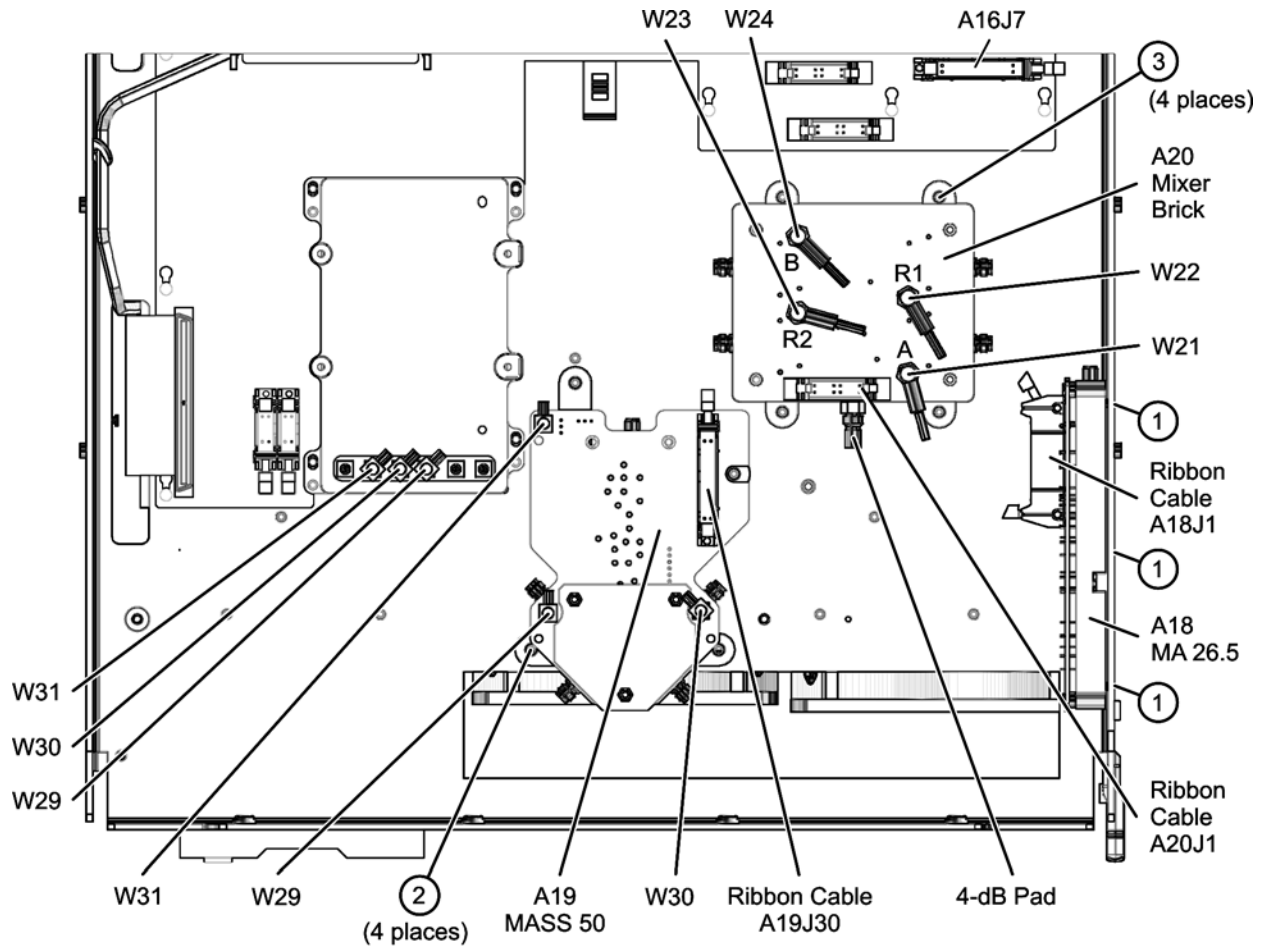
Install the A21 and A22 Test Port Couplers and the Front-Panel LED Board

1. Adhere a rubber bumper to each new 50 GHz coupler as shown below.



2. Install the LED board removed from the old test set deck front panel onto the new front panel using the three screws (item ④) removed from the old front panel.
3. Install the 50 GHz couplers in the new test set deck front panel and secure them with the flange nuts (item ⑤) removed from the 20 GHz couplers.
4. Set the new test set deck front panel aside for installation later.

Figure 12 50 GHz Components Installation



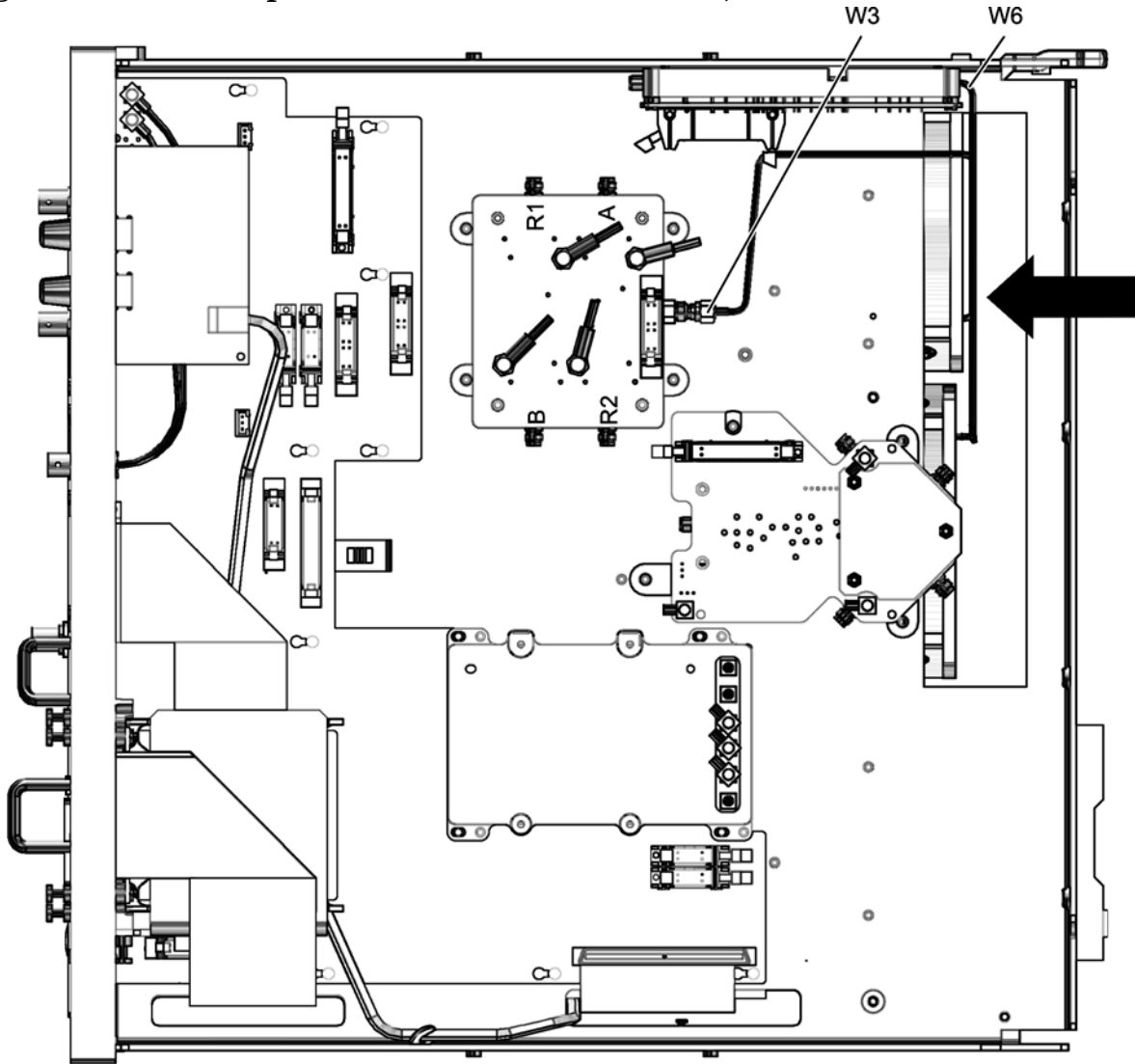
n5230_010_08

Step 9. Install the 50 GHz Top to Bottom Cables

CAUTION	Follow instructions carefully when making cable connections, especially wire harness connections. Incorrect connections can destroy components, resulting in additional customer costs.
----------------	---

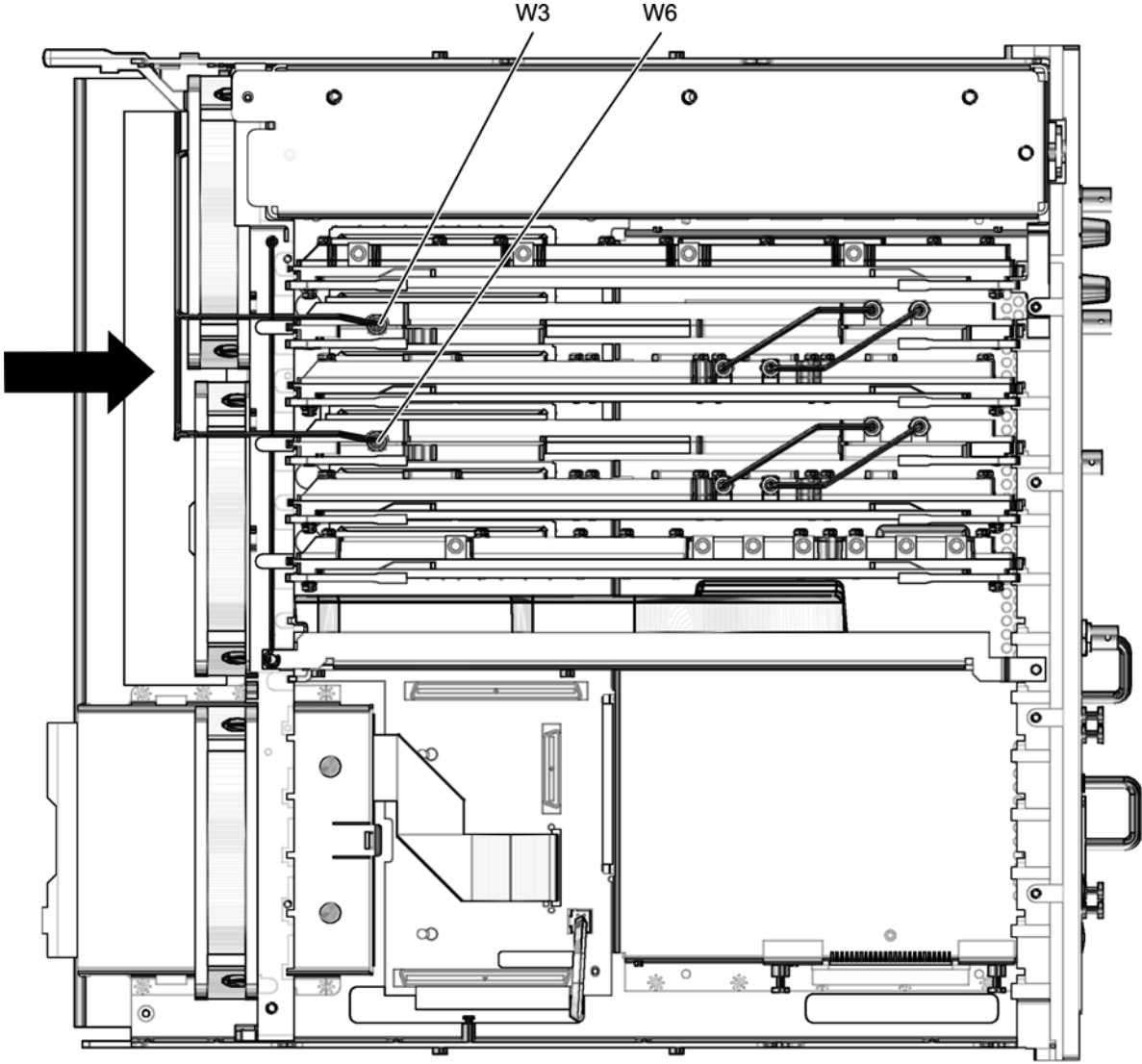
1. Place the analyzer on its side as shown in [Figure 13](#). New parts are listed in [Table 1 on page 7](#).
2. Insert cables W3 and W6 into the analyzer in the direction indicated by the arrows. It may be necessary to guide the other end of the cables, on the top side of the analyzer, as they are being inserted.
3. Loosely connect cables W3 and W6 at the locations shown in [Figure 13](#) and [Figure 14](#). Once all connectors are loosely connected, tighten the connectors.

Figure 13 50 GHz Top to Bottom Cables Installation, Bottom



n5230_010_09

Figure 14 50 GHz Top to Bottom Cables Installation, Top



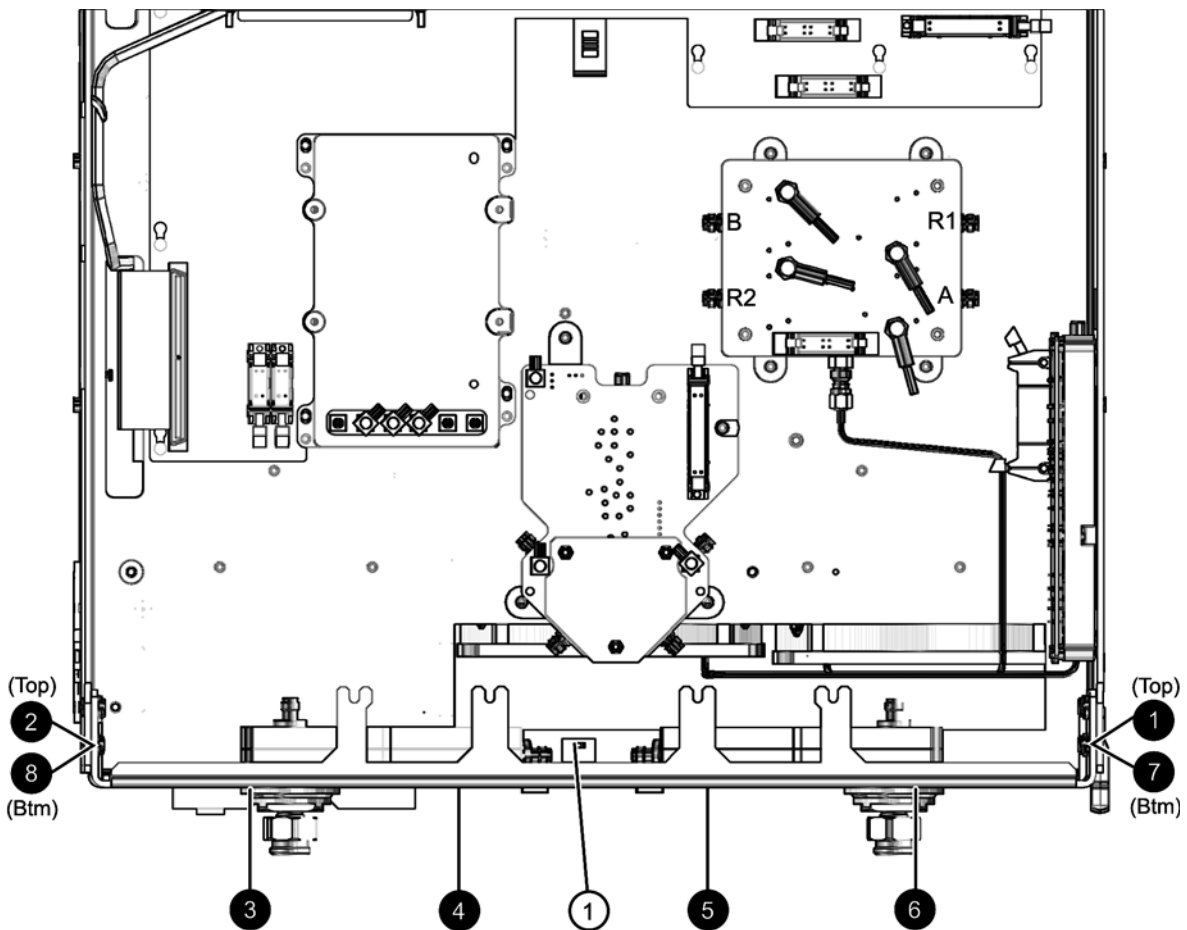
n5230_010_10

Step 10. Install the New Test Set Deck Front Panel

Refer to [Figure 15](#) for this procedure. New parts are listed in [Table 1 on page 7](#).

1. Place the new test set deck front panel, with the LED board and both new couplers attached, onto the test set deck as shown.
2. Using a T-10 TORX driver, *loosely* reinstall the eight screws (items **1** through **8**) to secure the front panel to the test set deck. Once all screws have been loosely installed, torque each of the eight screws to 9 in-lbs in the order indicated (**1** through **8**). This is important to ensure proper alignment.
3. Reconnect the wrapped wire cable (item **1**) to the front-panel LED board.

Figure 15 Test Set Deck Front Panel Installation



n5230_010_11

Step 11. Install the 50 GHz Bottom Cables

CAUTION	Follow instructions carefully when making cable connections, especially wire harness connections. Incorrect connections can destroy components, resulting in additional customer costs.
----------------	---

Refer to [Figure 16](#) for this procedure. New parts are listed in [Table 1 on page 7](#).

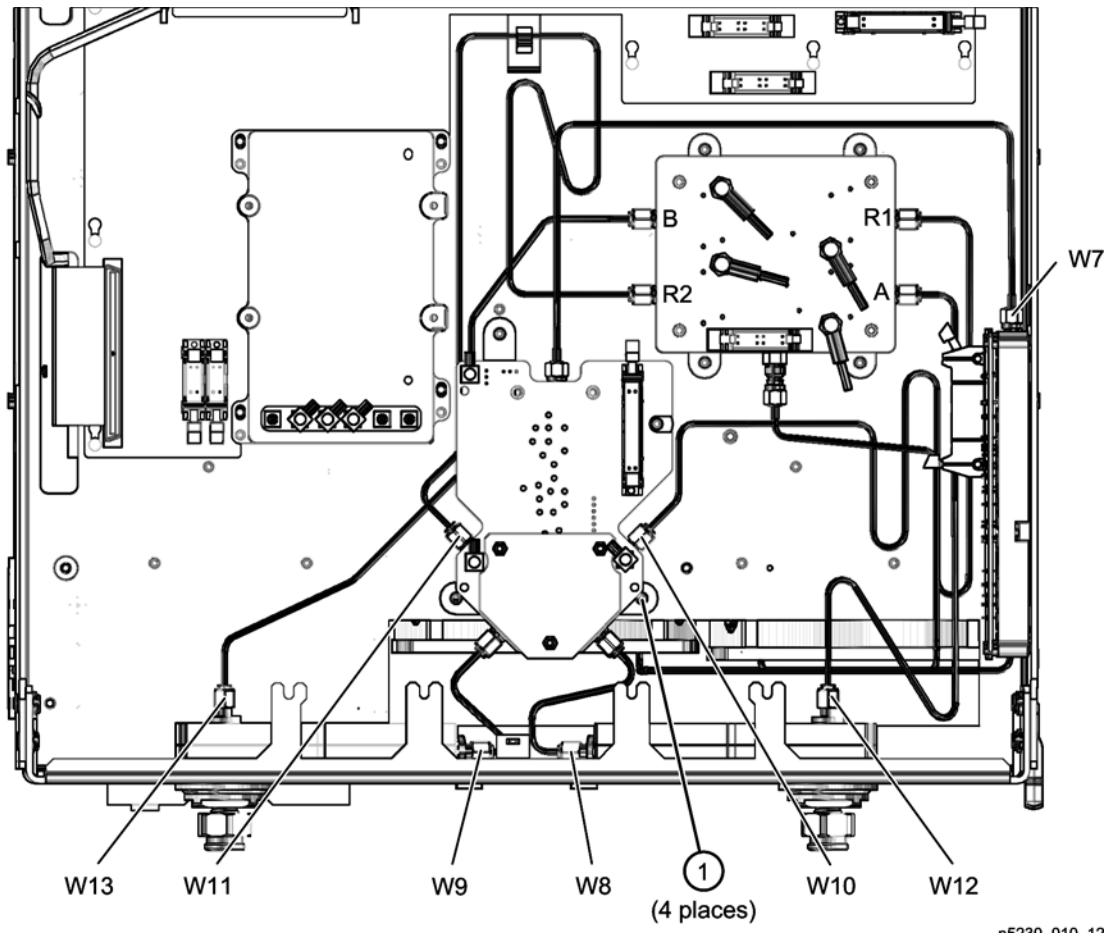
1. Install cables W11 and W13:

- W11 A19 MASS 50 to A20 mixer brick (R2)
 - W13 A22 test port 2 coupler to A20 mixer brick (B)
- a. Slide cables W11 and W13 between the A19 MASS 50 and the test set deck. It will be necessary to move the A19 MASS 50 slightly to allow room for the cables.
 - b. Connect cables W11 and W13 as shown. Use a 5/16-in torque wrench set to 10 in-lbs.
 - c. Tighten the four screws (item ①) to secure the A19 MASS 50.

2. Install the remaining cables in the order listed:

- W8 A19 MASS 50 to A21 test port 1 coupler
- W10 A19 MASS 50 to A20 mixer brick (R1)
- W12 A21 test port 1 coupler to A20 mixer brick (A)
- W9 A19 MASS 50 to A22 test port 2 coupler
- W7 A18 MA 26.5 to A19 MASS 50

Figure 16 50 GHz Bottom Cables Installation



n5230_010_12

Step 12. Replace the Nameplate

Refer to [Figure 17](#) for this procedure. New parts are listed in [Table 1 on page 7](#).

Remove the Old Nameplate

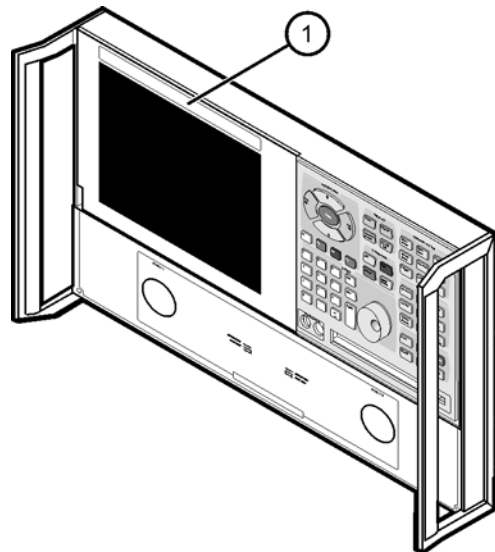
1. Using a sharp object such as a knife blade, lift one end of the old nameplate (item ①). Be careful not to scratch the painted surface.
2. Using your fingers, pull the nameplate completely off of the front panel and discard it.
3. If any adhesive remains on the front panel surface, it can be removed by rubbing it with your finger. Do not use a sharp object to remove this adhesive. If necessary, the surface can be cleaned with isopropyl alcohol.

Install the New Nameplate

IMPORTANT	If the Option F50 upgrade kit will be installed to extend the frequency to 50 GHz, do not install the new nameplate provided in this upgrade kit. Instead, use the one provided in the Option F50 upgrade kit.
------------------	--

1. Remove the protective backing from the new nameplate to expose the adhesive. Avoid touching the adhesive with your fingers as this may affect its ability to adhere to the front panel surface.
2. *Loosely* align the new nameplate over the recess in the front panel and apply lightly.
3. Once the nameplate is properly aligned, press it firmly onto the surface to secure it.

Figure 17 Nameplate Replacement



8363_001_01

NOTE	The figure above shows the N5230A front panel and floppy disk drive. The N5230C front panel has a slightly different appearance and does not include a floppy disk drive.
-------------	---

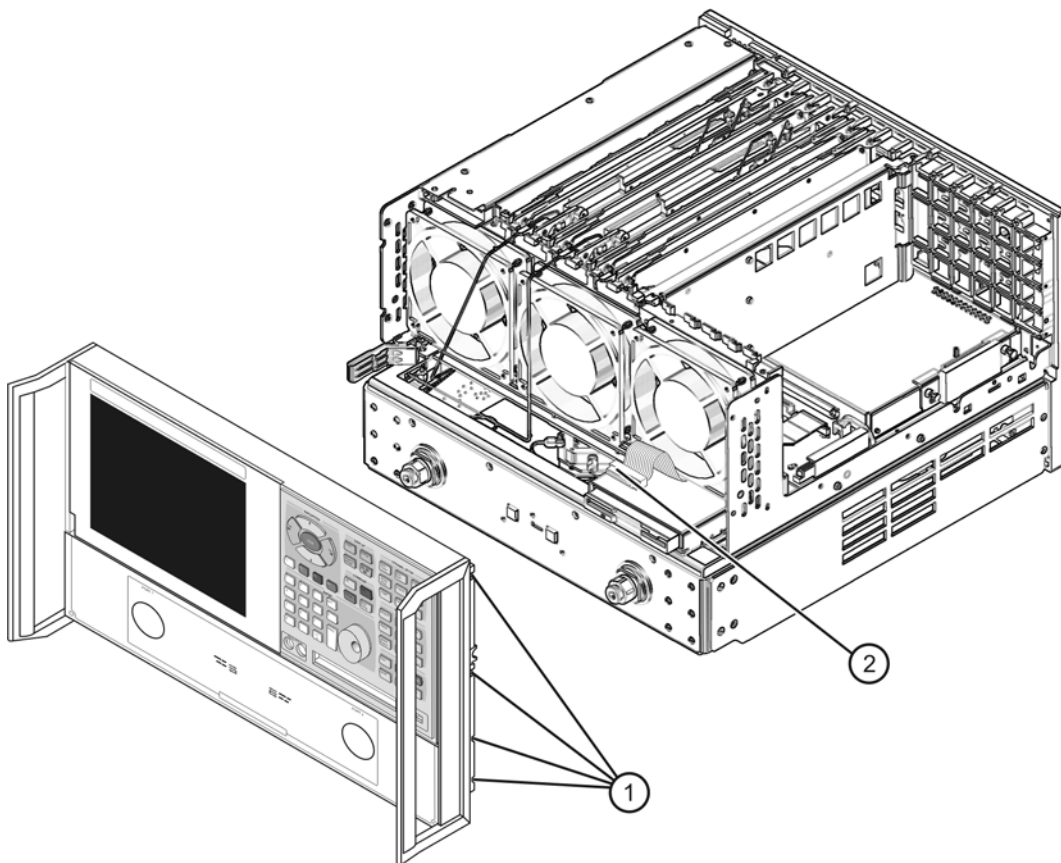
Step 13. Reinstall the Front Panel Assembly

CAUTION Before installing the front panel assembly onto the analyzer, place the analyzer right side up and lift and support the front of the analyzer chassis.

Refer to [Figure 18](#) for this procedure.

1. Reconnect the ribbon cable (item ②) to the A3 front panel interface board.
2. Slide the front panel over the test port connectors being careful to align the power switch and floppy disk drive to their corresponding front panel cutouts. Ensure that the ribbon cable (item ②) is located below the fan to prevent it from being damaged by the fan blades.
3. With a T-10 TORX driver, install the eight screws (item ①) in the sides of the frame.

Figure 18 Front Panel Assembly Reinstallation



n5230_010_13

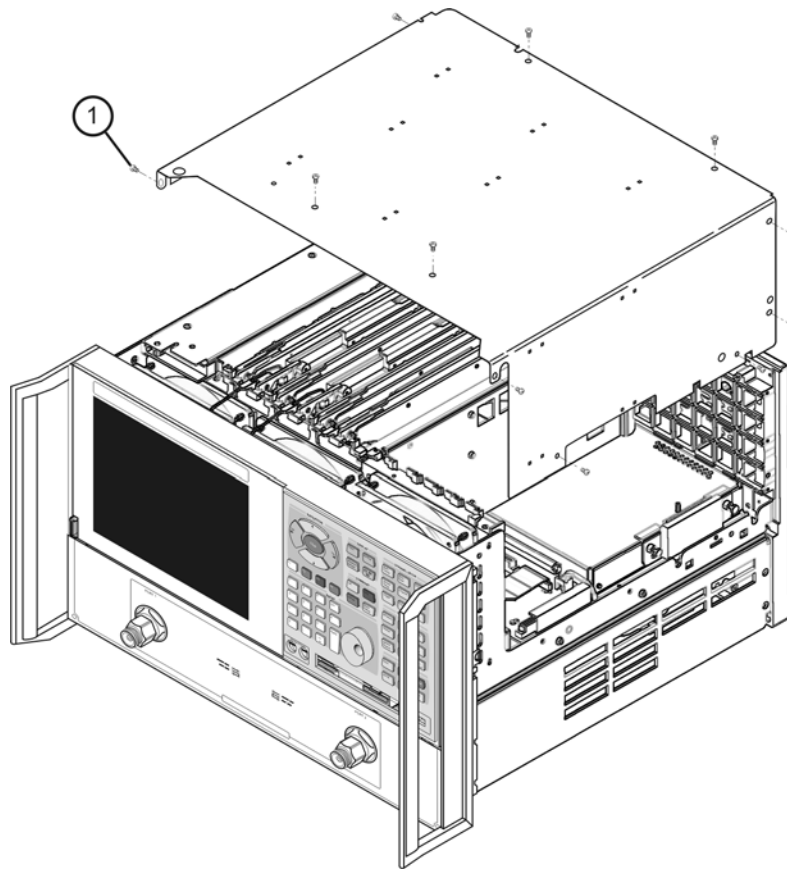
NOTE The figure above shows the N5230A front panel and floppy disk drive. The N5230C front panel has a slightly different appearance and does not include a floppy disk drive.

Step 14. Reinstall the Inner and Outer Covers

Reinstall the Inner Cover

1. Place the inner cover on the analyzer as shown. There are two alignment pins on the front frame that align with holes in the front of the cover to ensure proper alignment.
2. Using a T-10 TORX driver, reinstall the eleven screws (item ①).

Figure 19 Inner Cover Reinstallation



n5230_010_01

NOTE

The figure above shows the N5230A front panel and floppy disk drive. The N5230C front panel has a slightly different appearance and does not include a floppy disk drive.

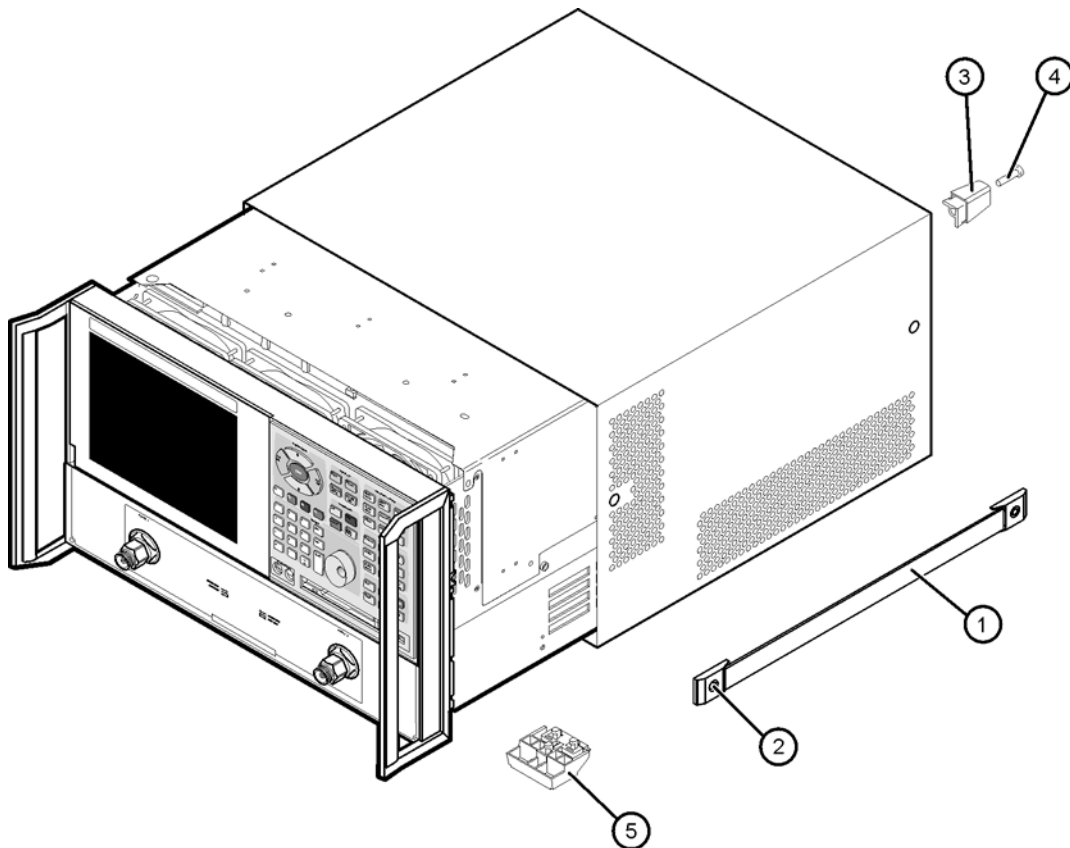
Reinstall the Outer Cover

CAUTION

This procedure is best performed with the analyzer resting on its front handles in the vertical position. *Do not place the analyzer on its front panel without the handles.* This will damage the front panel assemblies.

1. Slide the cover onto the frame.
2. Using a T-20 TORX driver, install the four rear panel feet (item ③) by installing the center screws (item ④).
3. Slide the four bottom feet (item ⑤) onto the cover.
4. Using a T-20 TORX driver, install the strap handles (item ①) by tightening the screws (item ②) on both ends.

Figure 20 Outer Cover Reinstallation



dt501a

NOTE

The figure above shows the N5230A front panel and floppy disk drive. The N5230C front panel has a slightly different appearance and does not include a floppy disk drive.

Step 15. Enable Option F40

Procedure Requirements

- The analyzer must be powered up and operating to perform this procedure.
- The analyzer program must be running.
- A mouse must be connected to the analyzer for this procedure.

Option Enable Procedure

1. On the analyzer's **System** menu, point to **Service**, and then click **Option Enable**.
2. In the **Select Desired Option** list, click **F40 - 40 GHz Frequency Range**.
3. Using the keyboard, enter the license key in the box provided. The license key is printed on the the license message you received from Agilent. Enter this key *exactly* as it is printed on the message.
4. Click **Enable**.
5. Click **Yes** in answer to the displayed question in the **Restart Analyzer?** box.
6. When the installation is complete, click **Exit**.

Option Verification Procedure

Once the analyzer has restarted and the Network Analyzer program is again running:

1. On the analyzer's Help menu, click About Network Analyzer.
2. Verify that "F40" is listed after "Options:" in the display. Click OK.

NOTE

If Option F40 has not been enabled, perform the "[Option Enable Procedure](#)" again. If the option is still not enabled, contact Agilent Technologies. Refer to "[Getting Assistance from Agilent](#)" on page 3.

Step 16. Perform Post-Upgrade Adjustments

Adjustments

The following adjustments must be made due to the hardware changes of the analyzer.

- default EE adjustment - select all assemblies, one at a time, and initialize.
- source calibration
- receiver calibration

These adjustments are described in the PNA service guide and in the PNA on-line HELP. A list of equipment required to perform these adjustments can be found at [“Equipment Required for Post-Upgrade Adjustments” on page 6.](#)

Calibration

The analyzer should now operate and phase lock over its entire frequency range.

If you experience difficulty with the basic functioning of the analyzer, contact Agilent. Refer to [“Getting Assistance from Agilent” on page 3.](#)

- Although the analyzer functions, its performance relative to its specifications has not been verified.
- It is recommended that a full instrument calibration be performed using the PNA performance test software.
- Refer to the analyzer’s service guide for information on the performance test software.